

ORGANIZATION:

ASP-GI

AEROSPACE RESEARCH PROJECT
GEMINI-I VARIANT
MAJOR COMPONENT MODIFICATIONS
- LANDING GEAR ASSEMBLIES

REVISION:

21 OCTOBER 1967

APPROVAL:

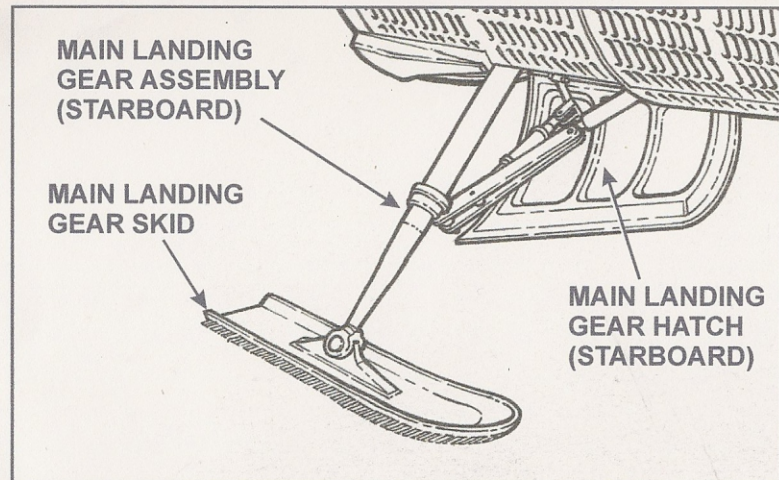
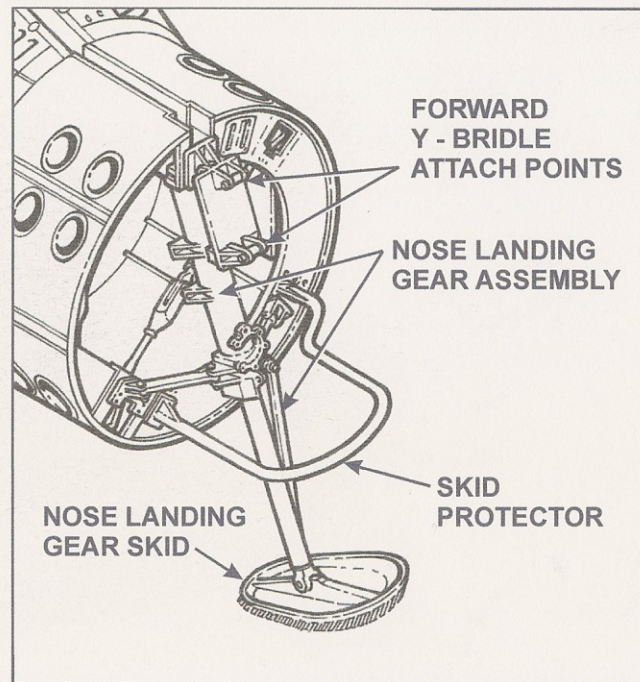
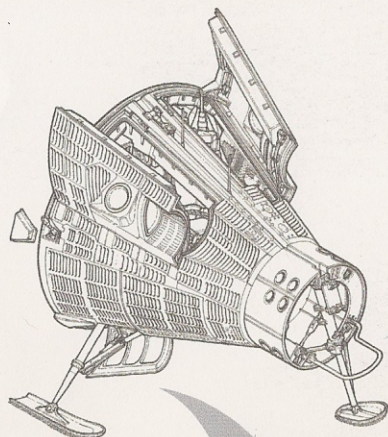
Virgil Wolcott

DATE:

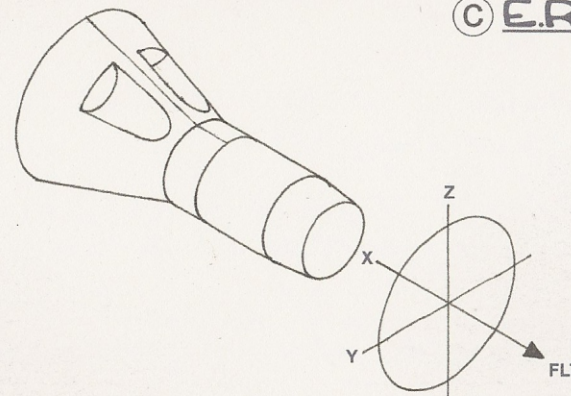
22 October 1967

DRAWING NUMBER:

10A00547



© E.R.JENNE



SHEET 7 OF 27